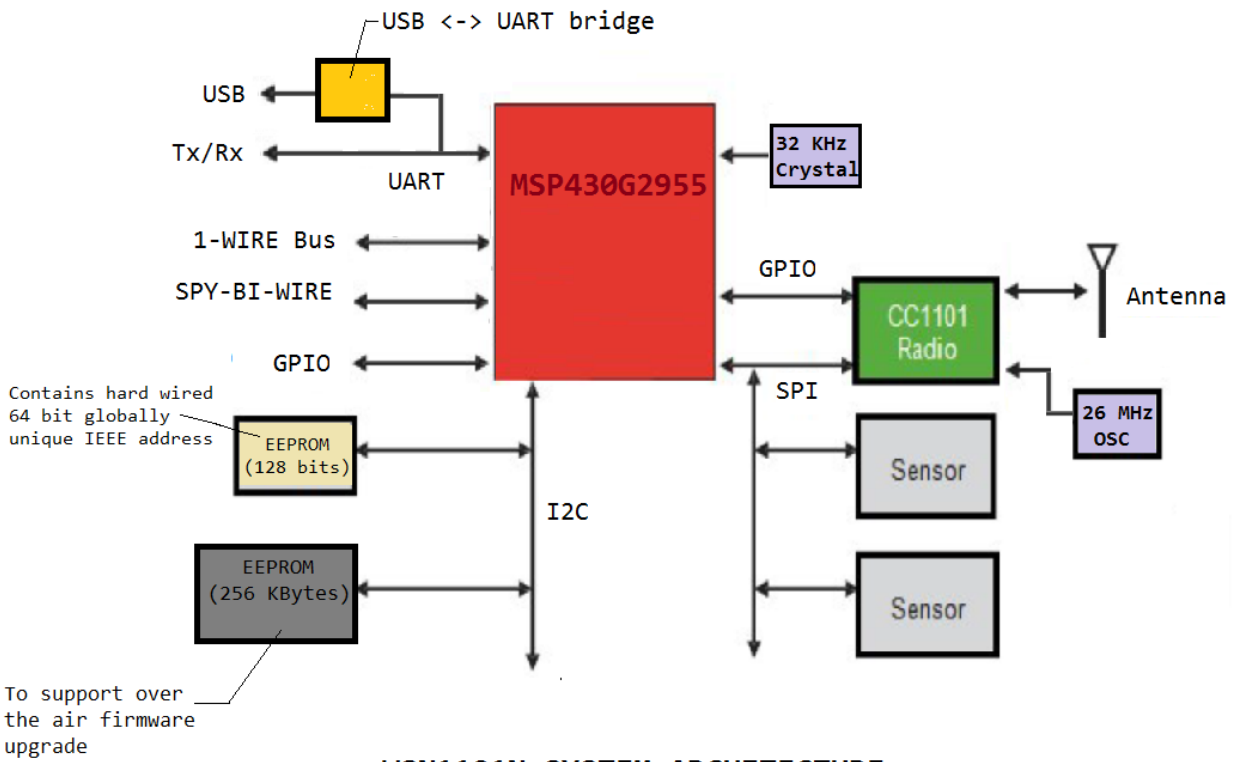
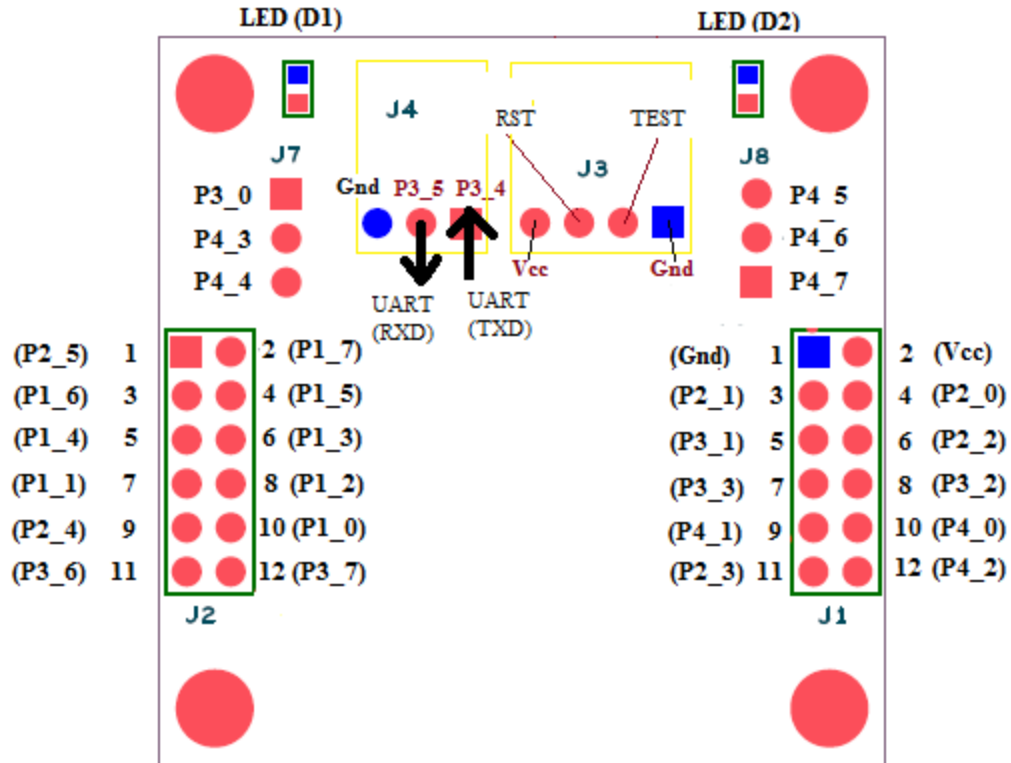


WSN1101N Wireless Sensor Node Pin Out

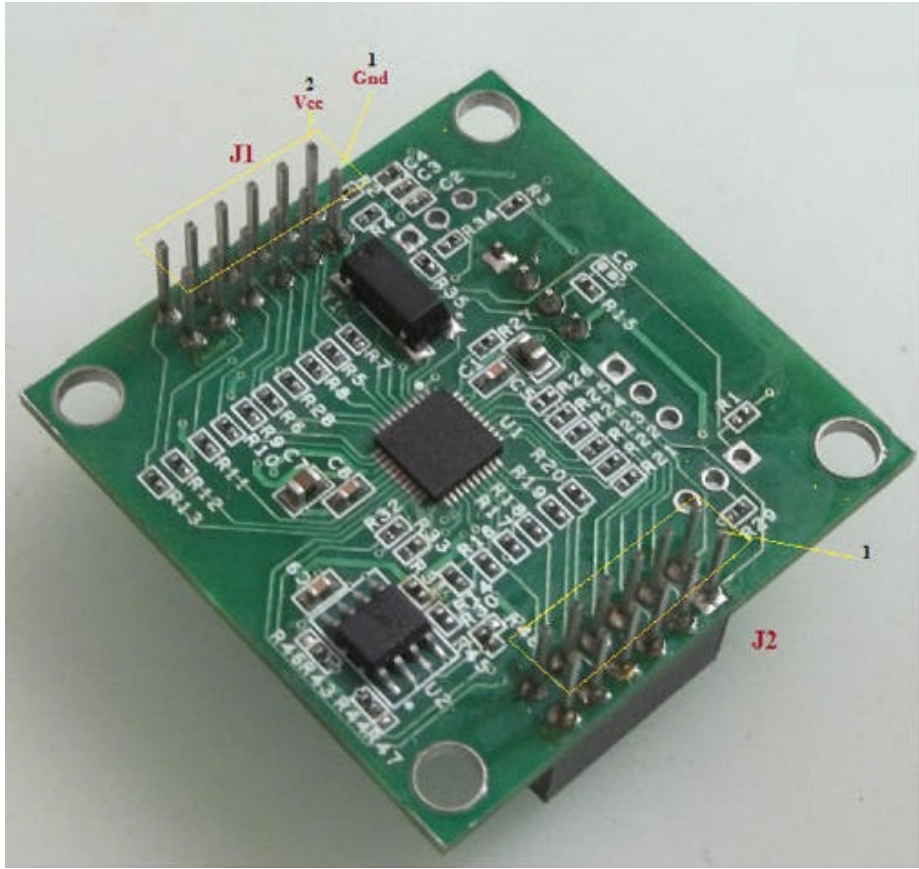
- The WSN1101N is a low cost wireless sensor node operating in the 865-867 MHz license free band in India.
- The node is designed around the TI MSP430G2955 microcontroller and TI CC1101 low power sub 1GHz radio transceiver.
- The TI MSP430G2955 is a 40 pin, 16 bit ultra low power mixed signal controller.
- The WiSense WSN1101N exposes most of the pins of the MSP430G2955 on two 2x6 high quality male board to board stackers.
- The coordinator variant is the WSN1101C. The only difference between a WSN1101N and the WSN1101C is the USB <-> serial interface on the latter.



WSN1101N SYSTEM ARCHITECTURE



WSN1101N Pin Out



Vcc	2	J1	1	Gnd
P2_0	4		3	P2_1
P2_2	6		5	P3_1
P3_2	8		7	P3_3
P4_0	10		9	P4_1
P4_2	12		11	P2_3

P1_7	2	J2	1	P2_5
P1_5	4		3	P1_6
P1_3	6		5	P1_4
P1_2	8		7	P1_1
P1_0	10		9	P2_4
P3_7	12		11	P3_6

WSN1101N PIN DETAILS

Dedicated Pins (Cannot be reused for any other purpose)

MSP430 Pin Nr	Description
P1_0	CC1101 - GDO2
P1_1	CC1101 - GDO0
P4_0	CC1101 - CSn
P3_1	SPI Bus (SIMO)
P3_2	SPI Bus (SOMI)
P3_3	SPI Bus (SCLK)
P3_4	UART (TX)
P3_5	UART (RX)
P3_6	I2C Bus (SDA)
P3_7	I2C Bus (SCL)
P3_0	LED_1
P4_5	LED_2

Unused Pins (Can be used for any purpose depending on pin capability)

MSP430 Pin Nr	Description
P1_2	See MSP40 data sheet
P1_3	See MSP40 data sheet
P1_4	See MSP40 data sheet
P1_5	See MSP40 data sheet
P1_6	See MSP40 data sheet
P1_7	See MSP40 data sheet
P2_0	See MSP40 data sheet
P2_1	See MSP40 data sheet
P2_2	See MSP40 data sheet
P2_3	See MSP40 data sheet
P2_4	See MSP40 data sheet
P2_5	See MSP40 data sheet
P4_1	See MSP40 data sheet
P4_2	See MSP40 data sheet
P4_3	See MSP40 data sheet
P4_4	See MSP40 data sheet
P4_6	See MSP40 data sheet
P4_7	See MSP40 data sheet